

## 2pc. Urethane Piston Seals - Metric cont'd.

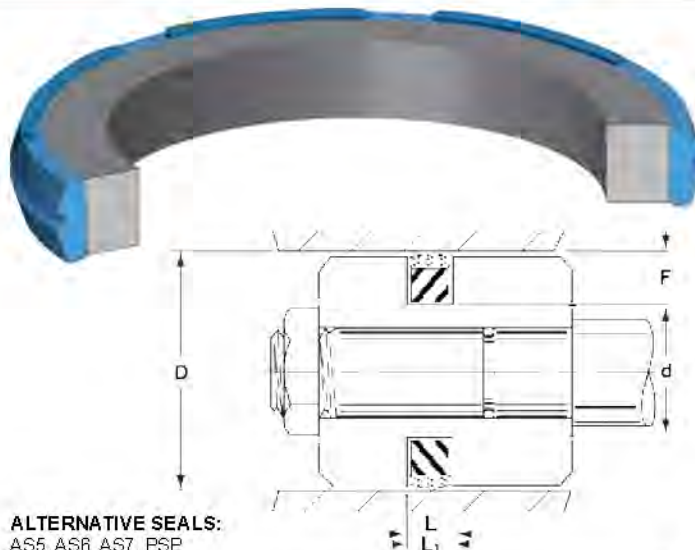
Part Number	Bore Dia. H9 D	Groove Dia. h9 d	Groove Height + .1 / -0 L
AS640E-110MM	110	94.5	6.3
PSP-110X89X8.1	110	89	8.1
PSP-110X89X10.5	110	89	10.5
AS640E-115MM	115	99.5	6.3
AS640E-120MM	120	104.5	6.3
AS642E-120MM	120	99.0	8.1
PSP-120X99X10.5	120	99	10.5
AS640E-125MM	125	109.5	6.3
AS642E-125MM	125	104.0	8.1
PSP-125X104X10.5	125	104	10.5
AS640E-130MM	130	114.5	6.3
PSP-130X114X7.5	130	114	7.5
AS642E-130MM	130	109	8.1
AS642E-135MM	135	114.0	8.1
AS640E-140MM	140	124.5	6.3
PSP-140X119X7.5	140	119	7.5
PSP-140X124X7.5	140	124	7.5

Part Number	Bore Dia. H9 D	Groove Dia. h9 d	Groove Height + .1 / -0 L
AS642E-140MM	140	119	8.1
PSP-140X119X10.5	140	119.0	10.5
PSP-150X134X7.5	150	134	7.5
AS642E-150MM	150	129	8.1
PSP-150X129X10.5	150	129.0	10.5
AS642E-160MM	160	139	8.1
AS642E-165MM	165	144.0	8.1
AS542E-170MM	170	149	8.1
AS642E-170MM	170	149	8.1
AS642E-180MM	180	159	8.1
AS642E-190MM	190	169	8.1
AS542E-200MM	200	179	8.1
AS642E-200MM	200	179	8.1
PSP-200X175X12.5	200	175	12.5
AS642E-210MM	210	189	8.1
AS642E-225MM	225	204.0	8.1
AS642E-250MM	250	229.0	8.1

## AS4 2pc. Urethane Piston Seals - Metric

Please see Piston Seal Measurement Guide on Page 32

Part Number	Bore Dia. H9 D	Groove Dia. h9 d	Groove Height + .1 / -0 L
AS432E-25MM	25	17.5	3.2
AS432E-32MM	32	24.5	3.2
AS436E-35MM	35	24.0	4.2
AS436E-40MM	40	29.0	4.2
AS436E-45MM	45	34.0	4.2
AS436E-50MM	50	39.0	4.2
AS440E-55MM	55	39.5	6.3
AS436E-60MM	60	49.0	4.2
AS440E-60MM	60	44.5	6.3
AS436E-63MM	63	52.0	4.2
AS440E-63MM	63	47.5	6.3
AS440E-65MM	65	49.5	6.3
AS440E-70MM	70	54.5	6.3
AS440E-75MM	75	59.5	6.3
AS440E-80MM	80	64.5	6.3
AS440E-85MM	85	69.5	6.3
AS440E-90MM	90	74.5	6.3
AS440E-95MM	95	79.5	6.3
AS440E-100MM	100	84.5	6.3
AS442E-100MM	100	79.0	8.1
AS440E-110MM	110	94.5	6.3
AS442E-110MM	110	89.0	8.1
AS442E-115MM	115	94.0	8.1
AS442E-120MM	120	99.0	8.1
AS442E-125MM	125	104.0	8.1
AS442E-130MM	130	109.0	8.1
AS442E-140MM	140	119.0	8.1
AS442E-150MM	150	129.0	8.1
AS442E-160MM	160	139.0	8.1
AS442E-165MM	165	144.0	8.1
AS442E-180MM	180	159.0	8.1
AS442E-200MM	200	179.0	8.1



ALTERNATIVE SEALS:  
AS5, AS6, AS7, PSP

EXAMPLE: AS440E-55MM		
Prefix	Groove Height	Bore Diameter
AS4	*40E-	55MM
	3.2mm	55mm

\*\_E- Number Refers to Groove Height  
(32 = 3.2mm, 36 = 4.2mm, 40 = 6.3mm, 42 = 8.1mm)

These compact seal assemblies are molded from a specially blended urethane according to vendor material and include a 70 durometer nitrile lathe cut expander. They are interchangeable with the AS5, AS6, and AS7 PTFE piston seal grooves and offer easy installation and good resistance to cold flow and extrusion.

Temperature: -40° to 225° F

Pressure: 0 to 5,000 PSI